

## Achieve Reliable Lockout in More Circuit Breaker Applications

IDENTIFY YOUR CIRCUIT BREAKER MODEL TO SELECT THE RIGHT MASTER LOCK LOCKOUT DEVICE



Single Toggle  
1-, 2- and  
3-Pole Miniature  
Breakers

Most Tie Bar  
2- and  
3-Pole Miniature  
Breakers



**S3821 Lockout Device -  
Miniature Circuit Breakers  
(120/240 V)**

Compact size allows for locking out adjacent breakers. Suitable for locking out multi-pole breakers and works with most tie-bar toggles



Molded Case Breakers



**S3822 Lockout Device -  
Molded Case Circuit Breakers  
(480/600 V)**

Permanently fixed cleat adds physical blocking capability



Molded Case Breakers  
with Oversized Handles



**S3823 Lockout Device -  
Oversized Handle Circuit Breakers  
(480/600 V)**

Fold-down cleat provides enhanced switch throw blocking when needed

Contact your Master Lock Representative to discuss lockout options for Tandem Miniature Breakers, AFCI or GFCI Miniature Breakers and ISO/DIN Breakers



Tandem  
Miniature  
Breakers

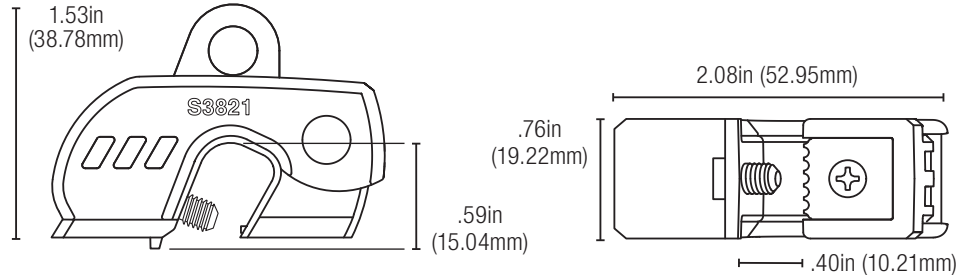


AFCI or GFCI  
Miniature  
Breakers



ISO Style  
Din Mounted

## For 120/240 V Miniature Circuit Breakers



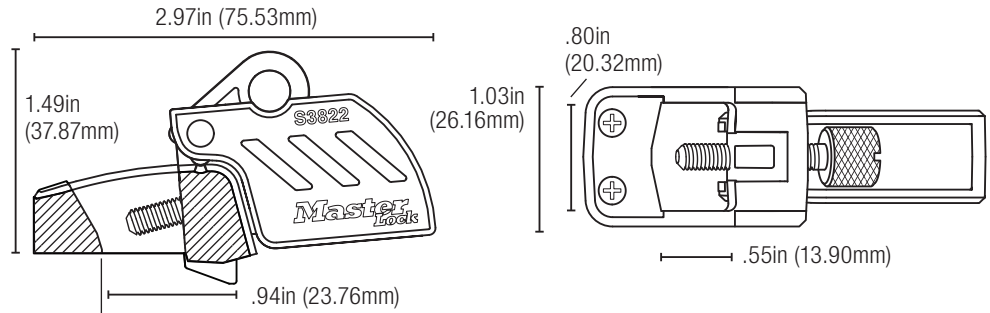
Manufacturer	Model Verified	Mfg. Product Family
<b>Eaton / Cutler Hammer / Westinghouse</b>	BAB	QUICKLAG
	BD	Type BR
	BR	Type BR
	BRH	Type BR
	CH	Type CH*
	CHB	Cutler Hammer CHB
	CHP	Type CHP Commercial
	CHQ	Type CH
	CL	Type CL
	HBAX	QUICKLAG
	HQNP	Cutler Hammer HQNP
	HQP	QUICKLAG
	QBHW	QUICKLAG
	QC	QUICKLAG
	QCHW	QUICKLAG
	QHCW	QUICKLAG
	QHCX	QUICKLAG
QHPW	QUICKLAG	
QHPX	QUICKLAG	
<b>GE</b>	TEY	TEY / TEYF
	TEYD	TEY / TEYF
	TEYF	TEY / TEYF
	TEYH	TEY / TEYF
	TEYL	TEY / TEYF
	THHQB	Q-Line
	THHQC	Q-Line
	THHQL	Q-Line

Manufacturer	Model Verified	Mfg. Product Family
<b>GE</b> (continued)	THQB	Q-Line
	THQC	Q-Line
	THQL	Q-Line
	TQ	Q-Line
	TQB	Q-Line
	TQC	Q-Line
	TQL	Q-Line
	TXQB	Q-Line
	TXQC	Q-Line
	TXQL	Q-Line
<b>Schneider Electric / Square D</b>	EDB	EDB
	EGB	EDB
	EJB	EDB
	HOM	Homeline
	QO	QO / QOB*
	QOB	QO / QOB*
	QOB-VH	QO / QOB*
	QOM1-VH	QO / QOB*
	QOM2-VH	QO / QOB*
	QO-SWN	QO / QOB*
QOU	QO / QOB*	
QO-VH	QO / QOB*	
<b>Siemens</b>	HQP	QP Series
	HQPP	QP Series
	QD	Type QD
	QP	QP Series
	QP1	QP Series
	QPH	QP Series

\*Fits single toggle multi-pole breakers. Excludes multi-pole breakers with tie bar.

**For circuit breakers not included in the list, please contact your Master Lock sales representative for further guidance on fitment**

## For 480/600 V Molded Case Circuit Breakers

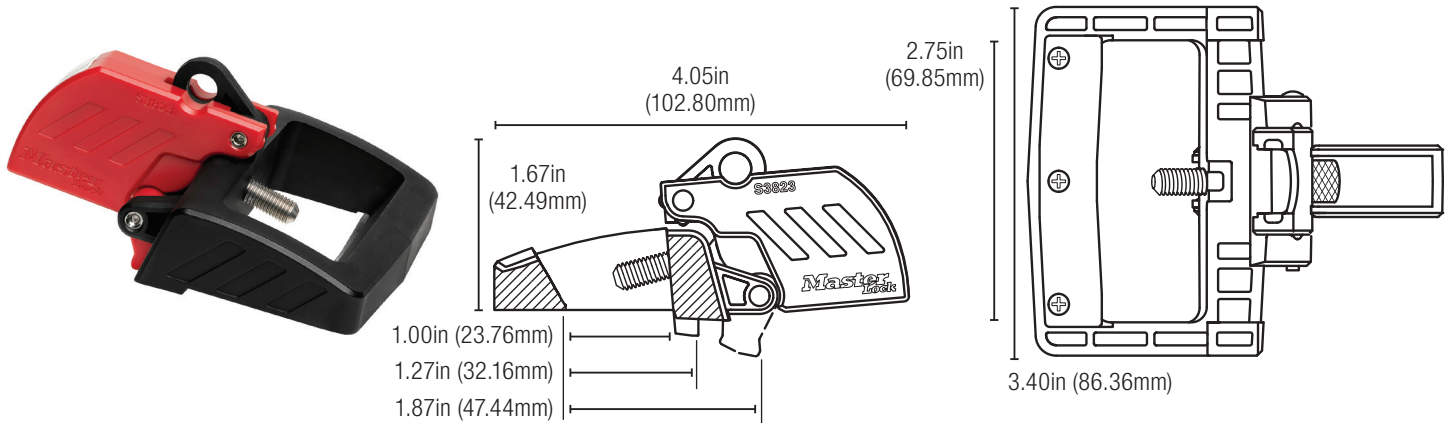


Manufacturer	Model Verified	Mfg. Product Family
<b>ABB</b>	A1A (1P,2P)	SACE FORMULA A1 Frames
	A2A (3P,4P)	SACE FORMULA A2 Frames
	S1	SACE ISOMAX S1
	S3	SACE ISOMAX S3
	T1	Tmax T1
	T4	Tmax T4
	XT1	SACE Tmax XT 125 Frame
	XT4	SACE Tmax XT 250 Frame
<b>Eaton / Cutler Hammer / Westinghouse</b>	CC	Type CC Main Breaker
	CSR	Type CSR Main Breaker
	E125S	Series G EG-Frame
	EHD	Series C F-Frame
	FCL	Current Limit-R
	JGE	Series E J-Frame
<b>GE</b>	FBH	FB 100 Amp Frame
	FEH	FE 200 Amp Frame
	THED	E150
	THQD	Q-Line

Manufacturer	Model Verified	Mfg. Product Family
<b>Schneider Electric / Square D</b>	BD	PowerPact B-Frame
	FAL	F-Frame
	FJ	F-Frame
	GJL	GJ-Frame
	HJL	PowerPact H-Frame
	KA	Class 655 Thermal-Magnetic
	Q1B	Type Q1B Q Frame
	Q2L	Type Q2L Q Frame
	QD	PowerPact Q-Frame
	<b>Siemens</b>	ED6
EE3		ITE/Siemens Type EE E Frame
HE4		ITE/Siemens Type HE4 E Frame
HED4		Sentron ED4
HEG		EG Frame
NG		Siemens VL NG Family
QJ		Type QJ
VL250		VL250

**For circuit breakers not included in the list, please contact your Master Lock sales representative for further guidance on fitment**

## For 480/600 V Oversized Handle Circuit Breakers



Manufacturer	Model Verified	Mfg. Product Family
<b>ABB</b>	JS	JS Series
	S6	SACE ISOMAX S6
	T6	Tmax T6
<b>Eaton / Cutler Hammer / Westinghouse</b>	HMDL	Series C M-Frame
	KD	Series C K-Frame
	LCL	Current Limit-R
	LD	Series C L-Frame
	ND	Series C N-Frame
	RD	Series C R-Frame
<b>GE</b>	FGN	FG 600 Amp Frame
	SEH	Spectra RMS SE150
	SGD	Spectra RMS SG600
	SKH8	Spectra RMS SK1200
	THJK4	J600

Manufacturer	Model Verified	Mfg. Product Family
<b>Schneider Electric / Square D</b>	LAL	L-Frame Thermal-Magnetic
	MAL	Type MAL M Frame
	ML3	Type ML3 J Frame
	PJ	PowerPact P-Frame
<b>Siemens</b>	FXD6A	ITE/Siemens FD Frame
	JD6-A	ITE/Siemens JD Frame
	JJ3	ITE/Siemens Type JJ3 J Frame
	KM3	ITE/Siemens Type KM M Frame
	SHMD6	ITE/Siemens MD Frame

**For circuit breakers not included in the list, please contact your Master Lock sales representative for further guidance on fitment**

**DISCLAIMER:**

The chart contained within this document should be used as a reference to match circuit breaker models with the circuit breaker lockout device. Please note that wear and tear of the circuit breaker and the lockout device as well as future revisions to the circuit breaker designs may affect fitment of the lockout device on the circuit breaker. Thus, the chart does not guarantee proper fitment and should only be used as a guide.

The circuit breaker manufacturer's product family as well as lockout device dimensions are also provided to help determine if this lockout device will fit to the switch handle of circuit breaker application. In cases where the switch handle does fit within the lockout device, proper fitment is still not guaranteed.

The user is responsible for verifying the lockout device is suitable for its intended use and for properly installing the device and ensuring that it protects against unintended equipment activation. Please refer to the product instruction sheet for proper lockout device / circuit breaker installation.